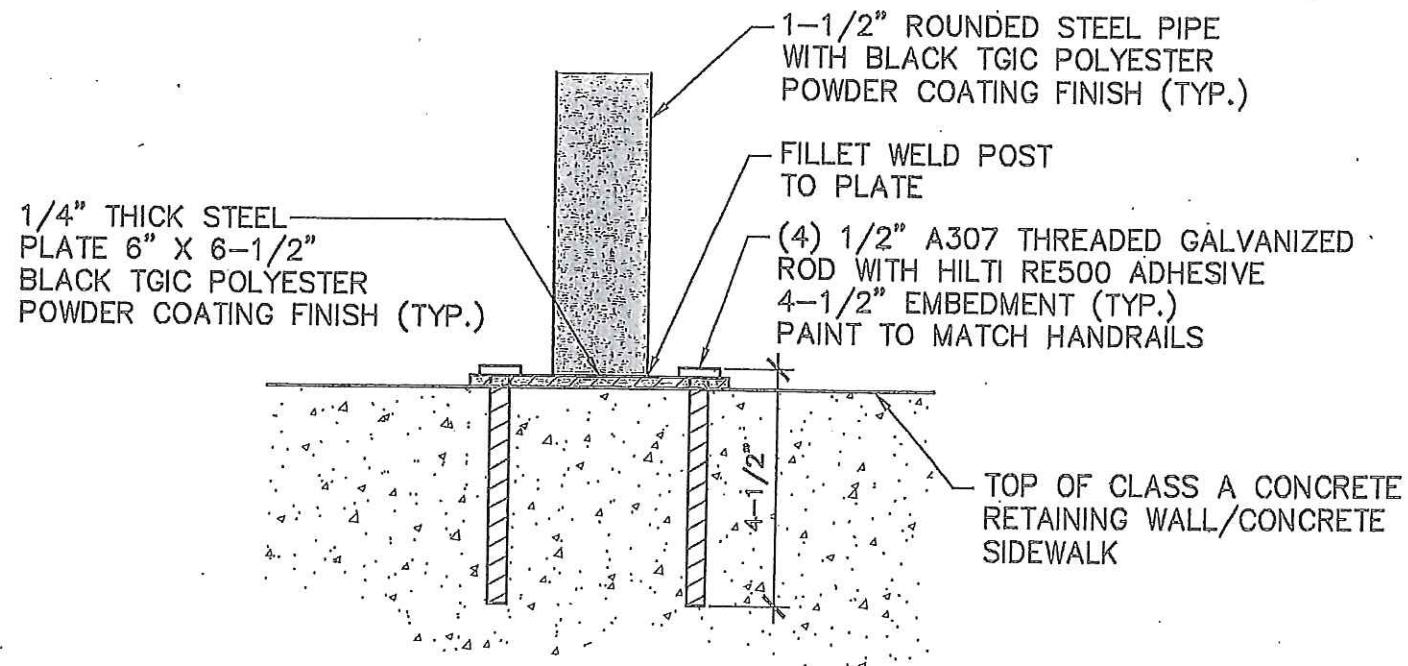


ENLARGED PLAN: SURFACE MOUNT STEEL PLATE



ENLARGED SECTION: SURFACE MOUNT STEEL PLATE

Acknowledgement: This detail is from the plans for Federal Aid Project SIP STIM(457)EH, J/P 27196(04), Kingfisher Co., prepared by R. L. Shears Company P.C., Landscape Architects.

For this project, the Contractor may opt to install the plate into the wet concrete and then weld the railing on later. The Contractor may offer alternative mounting strategies to the Engineer for consideration.

J/P 32746(04)